



# QX Series Pockels Cell

QX1020 / QX1320 / QX1630 / QX2035

The QX series sets the standard for KD\*P electro-optic Q-switches. These devices provide reliable, stable performance for a diverse range of laser applications.

We offer a unique rebuild program that extends the QX lifetime. All rebuilt units are upgraded with the latest product improvements and are returned with a new one-year warranty.

The standard configuration employs a broad band, high damage threshold Sol Gel AR coating for improved durability and performance. The QX series is also available with index matching fluid and a choice of end caps. All units are tested for optic and electric function and are supplied with a QA inspection report.

## Performance Data

Typical Specification 99% KD*P	QX1020	QX1320	QX1630	QX2035
<b>Physical</b>				
Hard aperture diameter	9.25 mm	12.3 mm	15.1 mm	19.5 mm
Single Pass Insertion Loss	<1.4%	<1.4%	<1.8%	<2.0%
<b>Voltage Contrast Ratio</b>				
(Cross polarizers)	5000:1	4000:1	3500:1	3000:1
(Parallel polarizers)	2500:1	1500:1	1800:1	1600:1
DC Quarter wave voltage @1064nm	3.2 kV	3.5 kV	3.3 kV	3.5 kV
Single Pass Distortion @ 633nm	< $\lambda/8$	< $\lambda/8$	< $\lambda/8$	< $\lambda/8$
<b>Electrical</b>				
Capacitance @ 1 kHz	6pF	9pF	9pF	13pF
10-90% Rise time (50 $\Omega$ line)	0.8 ns	1.1 ns	1.1 ns	1.5 ns

Note: Specifications are subject to change without notice.



## CLEVELAND CRYSTALS

A Gooch & Housego Company

*Crystalline Materials and Electro-Optics*

676 Alpha Dr., Highland Heights, OH 44143, USA

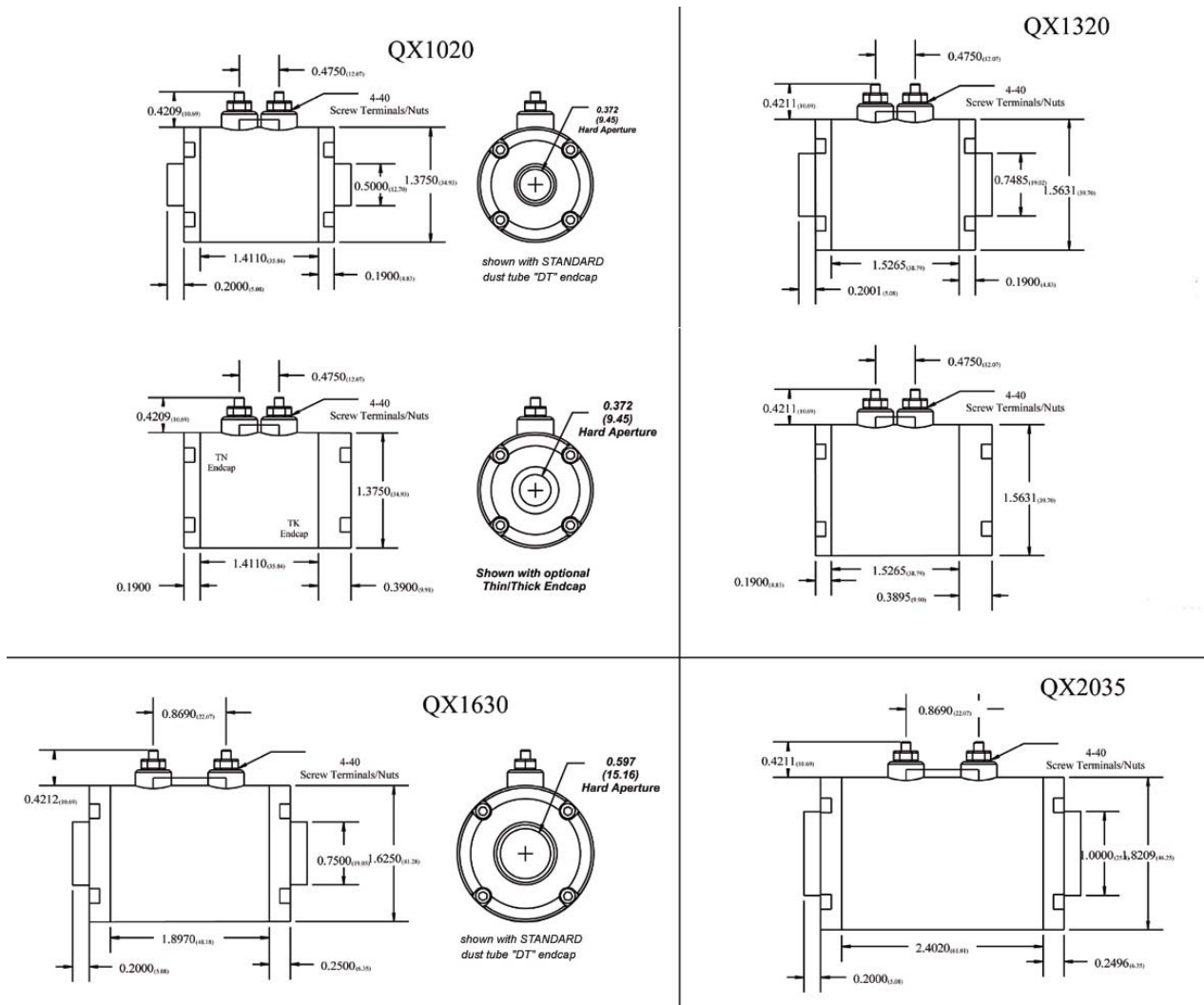
T (216) 486 6100 F (216) 461 1538 E Sales@ClevelandCrystals.com

# QX Series Pockels Cell

QX1020 / QX1320 / QX1630 / QX2035

## Features

- Industry-proven performance
- Dry or fluid-filled
- Highest (99.9% KD\*P) deuteration levels in industry
- Adhesive/Epoxy-free assembly
- Premium UV-grade fused silica windows
- Apertures from 9.25mm diameter up to 19.5mm diameter
- Lowest absorption in industry
- High-reliability
- Economical upgrade/rebuild program
- Highest optical damage thresholds
- Accessible technical support
- Standard performance documentation
- One-year limited warranty
- Operation up to 10kHz (special order)



# CLEVELAND CRYSTALS

A Gooch & Housego Company

Crystalline Materials and Electro-Optics

676 Alpha Dr., Highland Heights, OH 44143, USA

T (216) 486 6100 F (216) 461 1538 E Sales@ClevelandCrystals.com